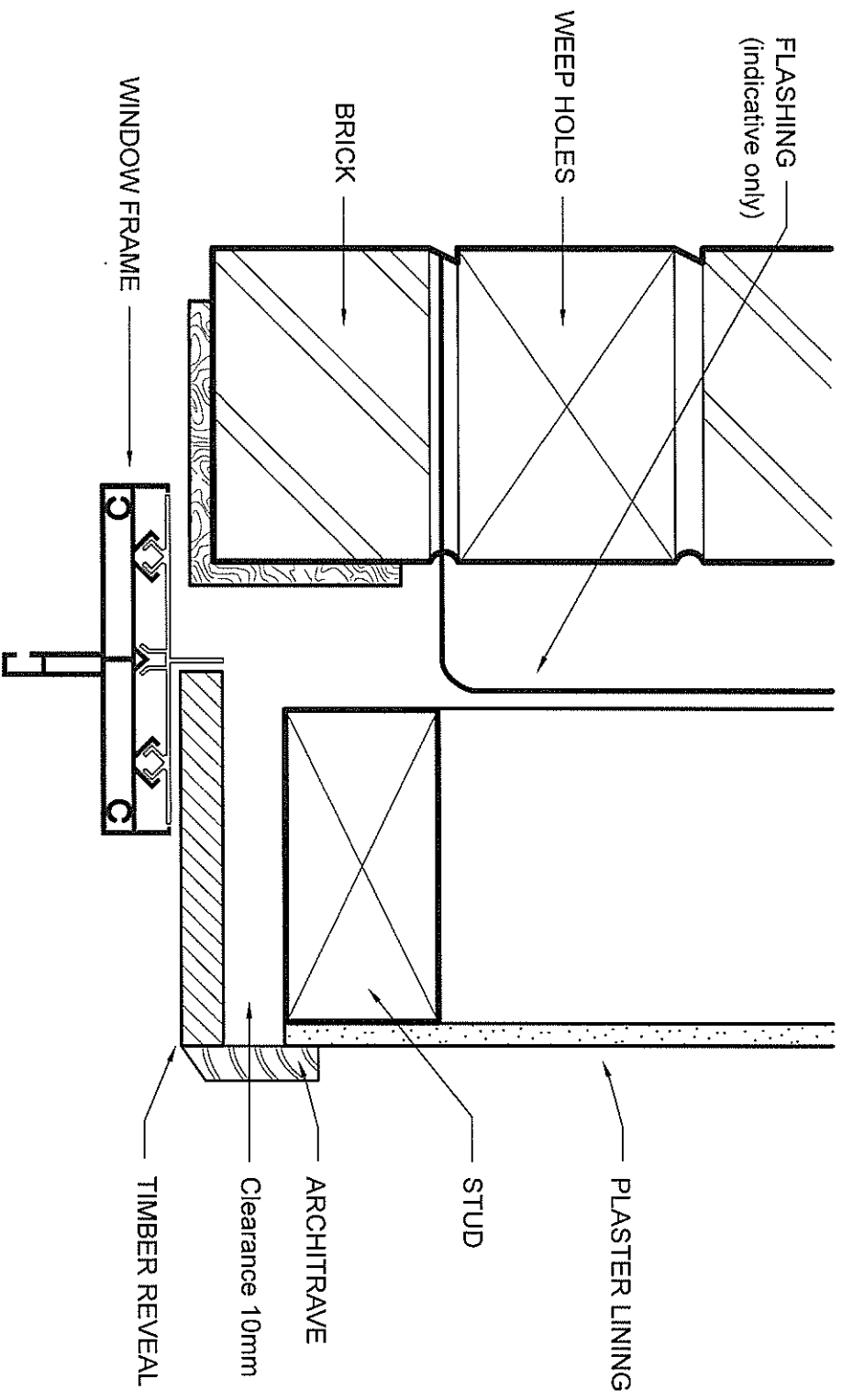


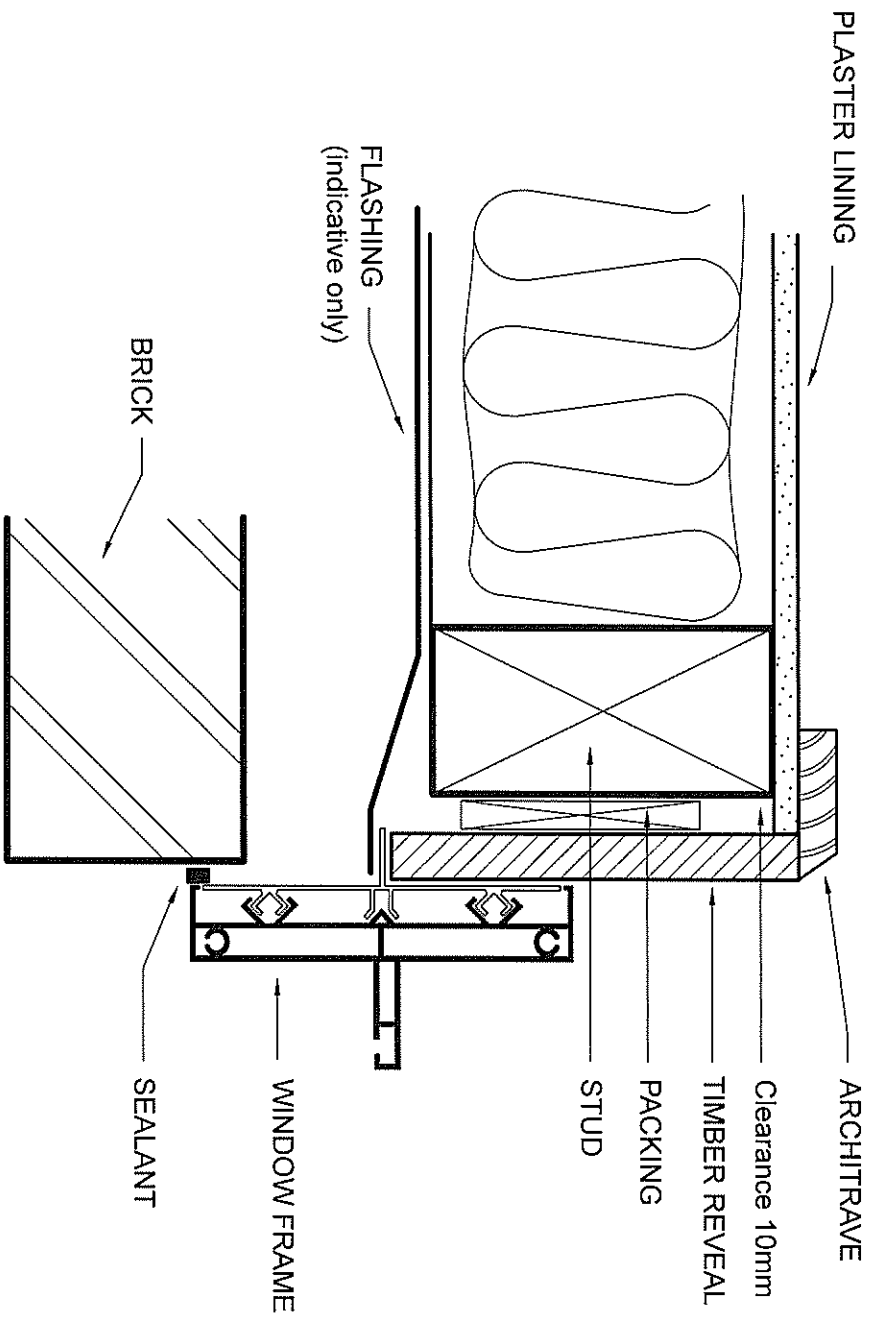
Typical Installation Detail for Windows in Brick Veneer



HEAD (Detail)

NOT TO SCALE

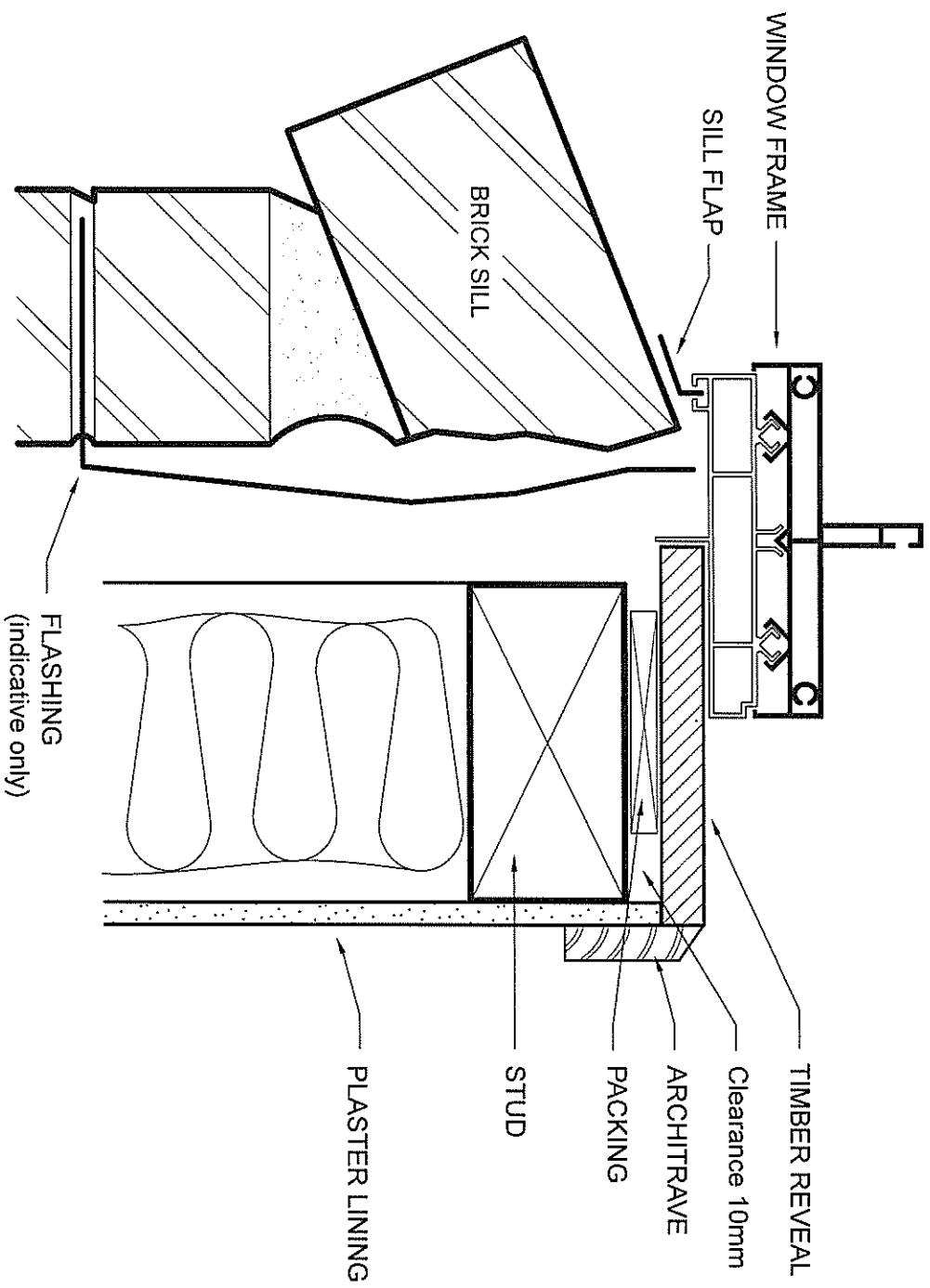
Typical Installation Detail for Windows in Brick Veneer



JAMB (Detail)

NOT TO SCALE

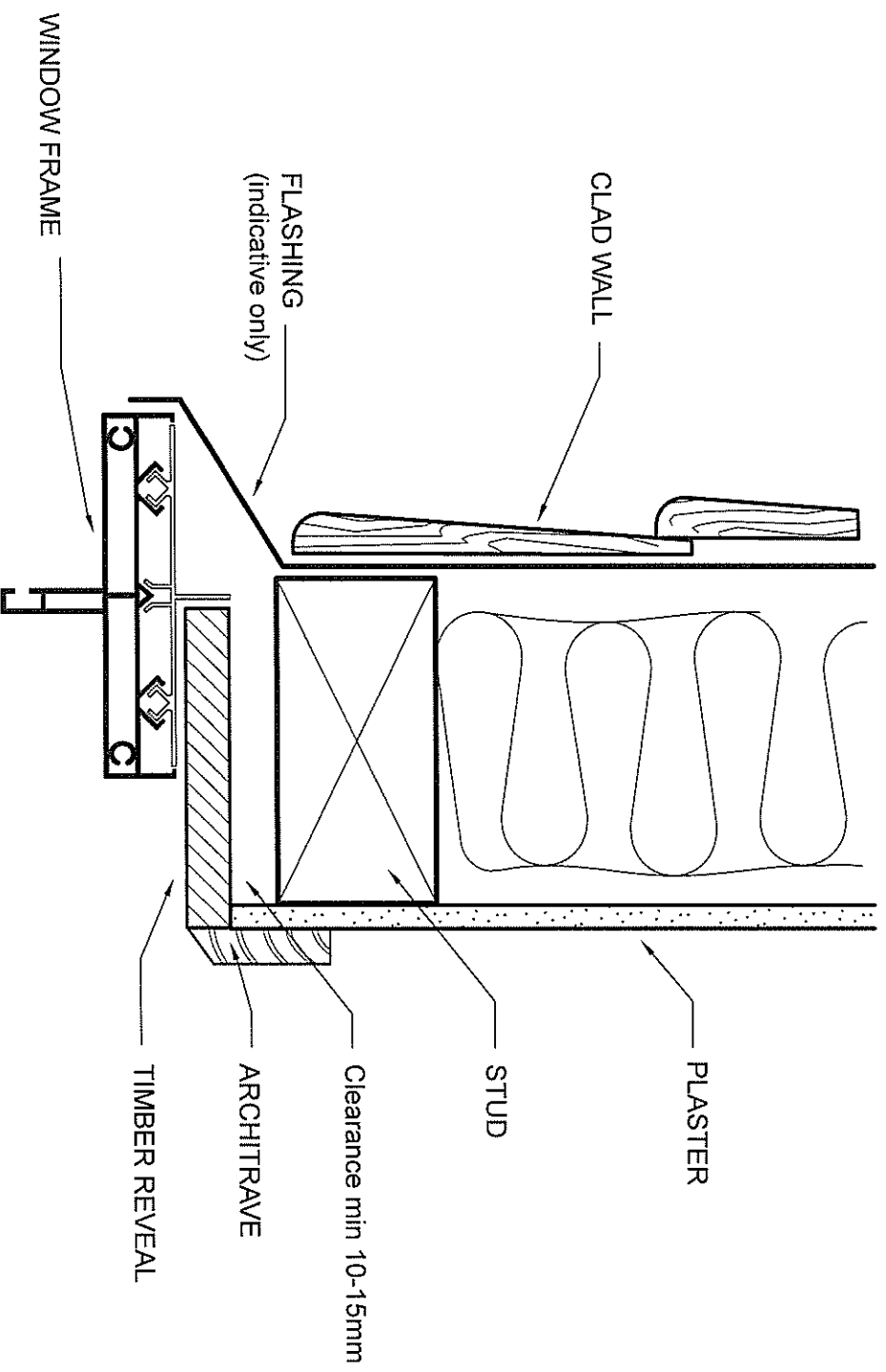
Typical Installation Detail for Windows in Brick Veneer



SILL (Detail)

NOT TO SCALE

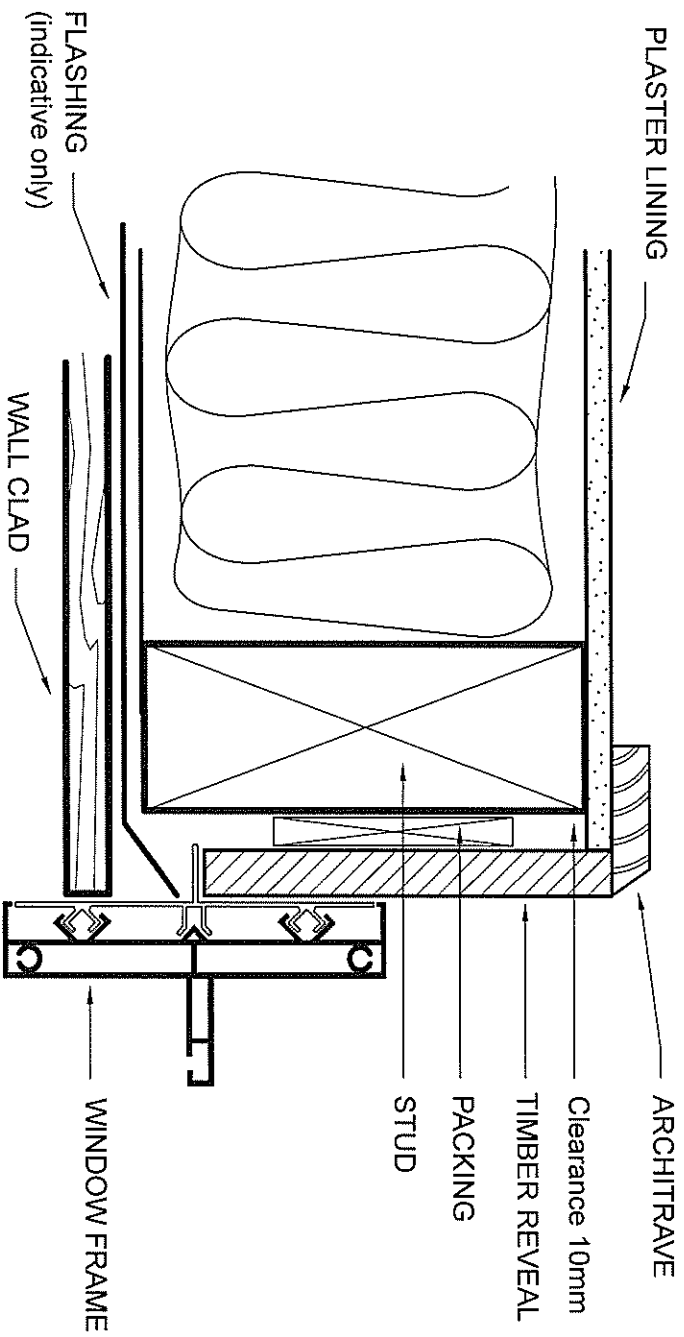
Typical Installation Detail of Windows into Clad Wall



HEAD (Detail)

NOT TO SCALE

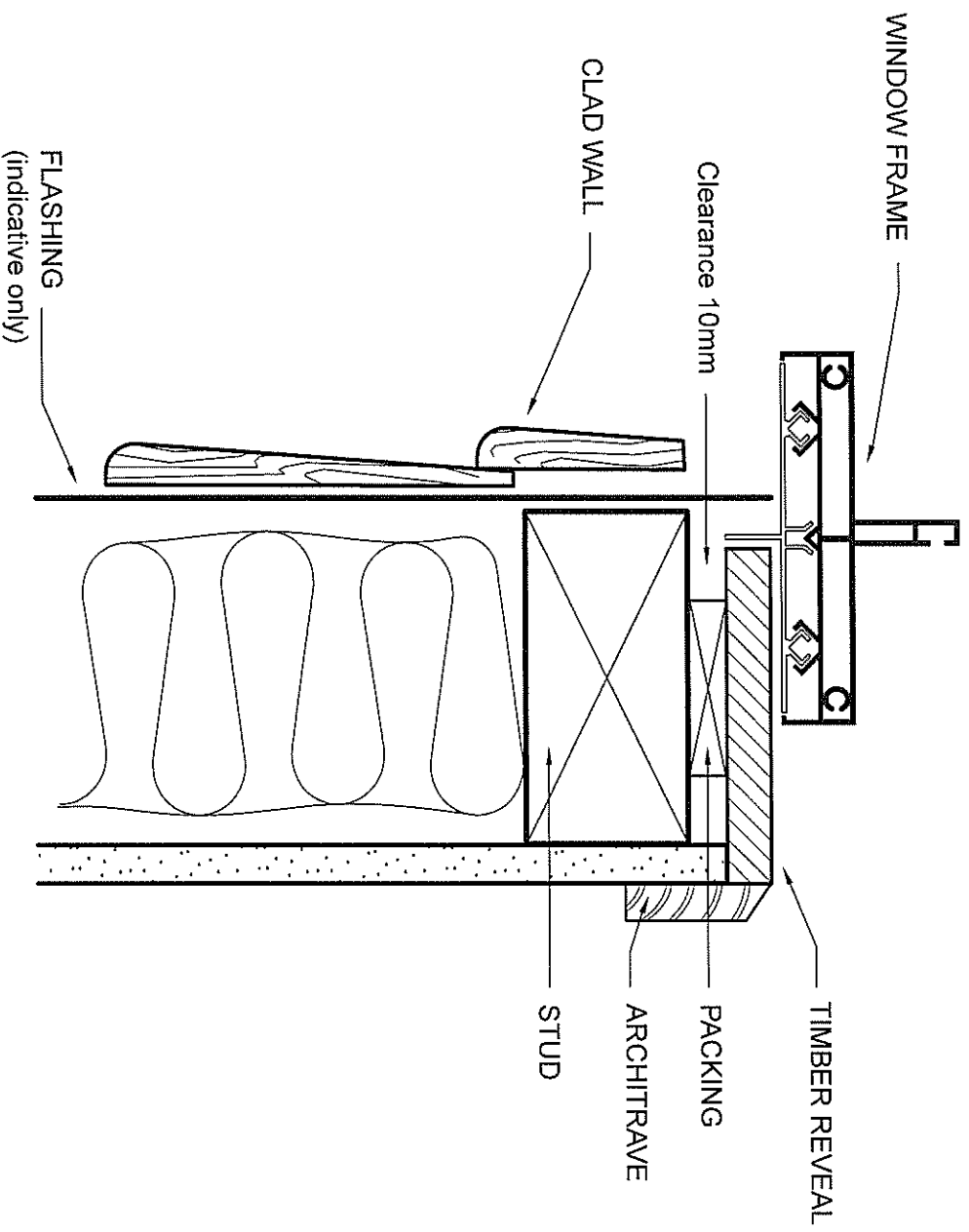
Typical Installation Detail of Windows into Clad Wall



JAMB (Detail)

NOT TO SCALE

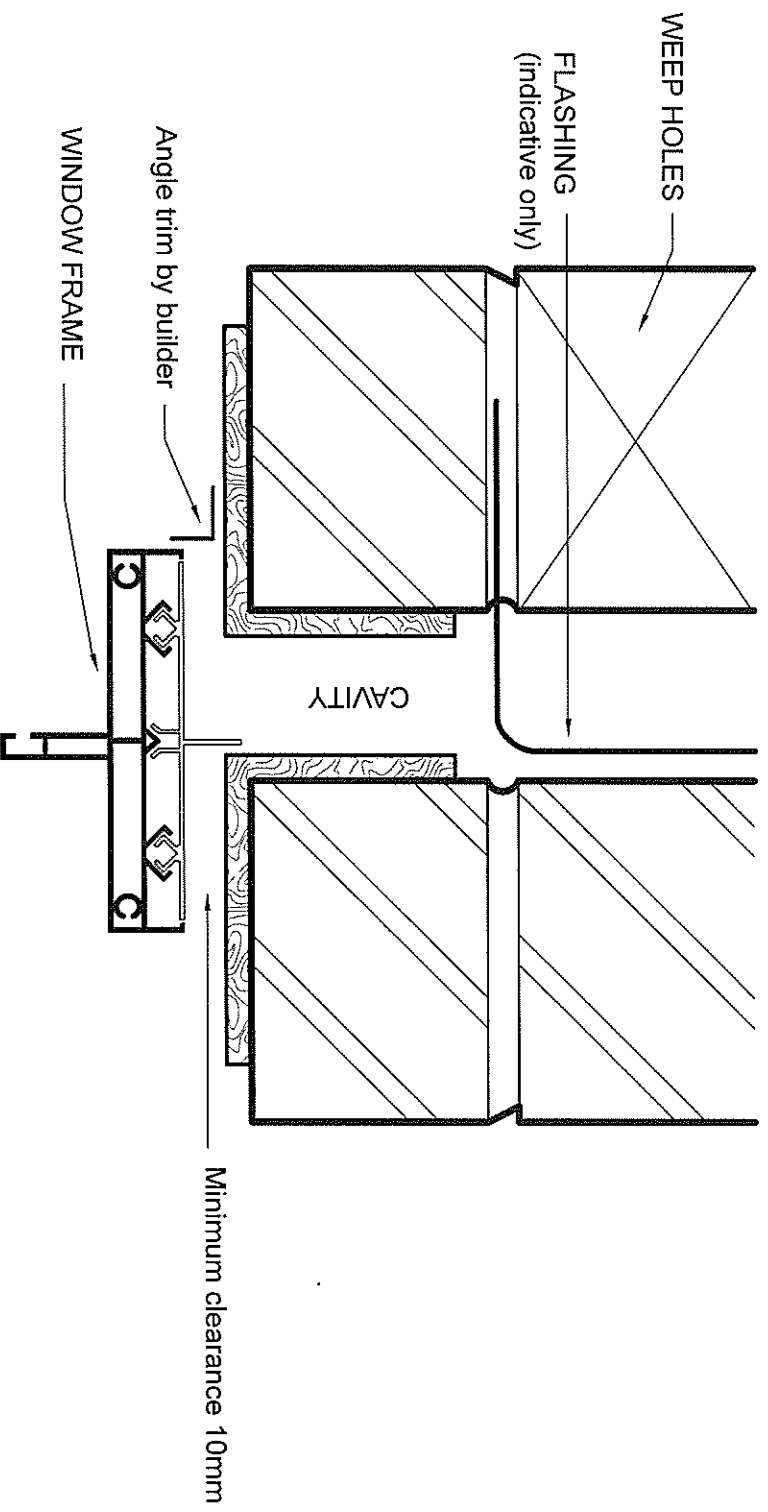
Typical Installation Detail of Windows into Clad Wall



SILL (Detail)

NOT TO SCALE

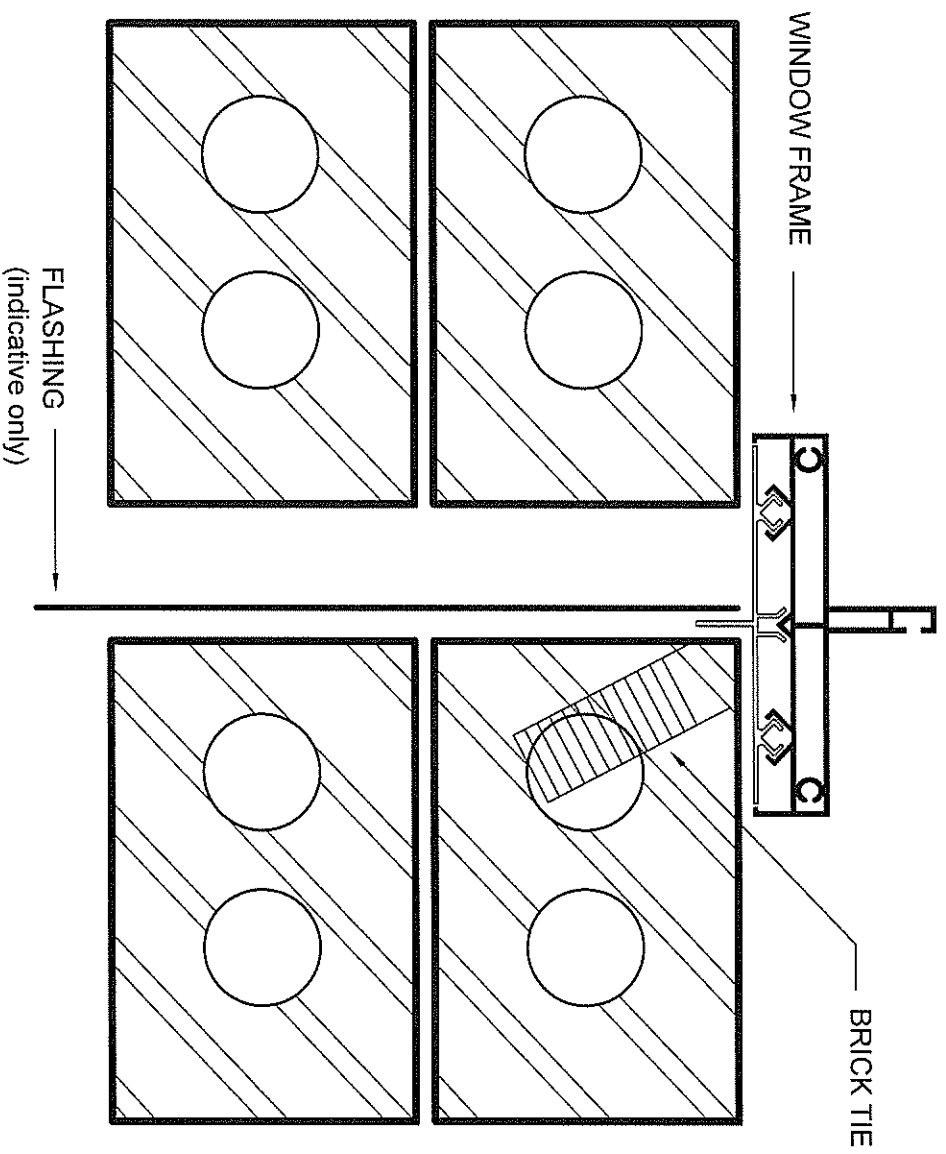
Typical Installation Detail for Windows in Double Brick



HEAD (Detail)

NOT TO SCALE

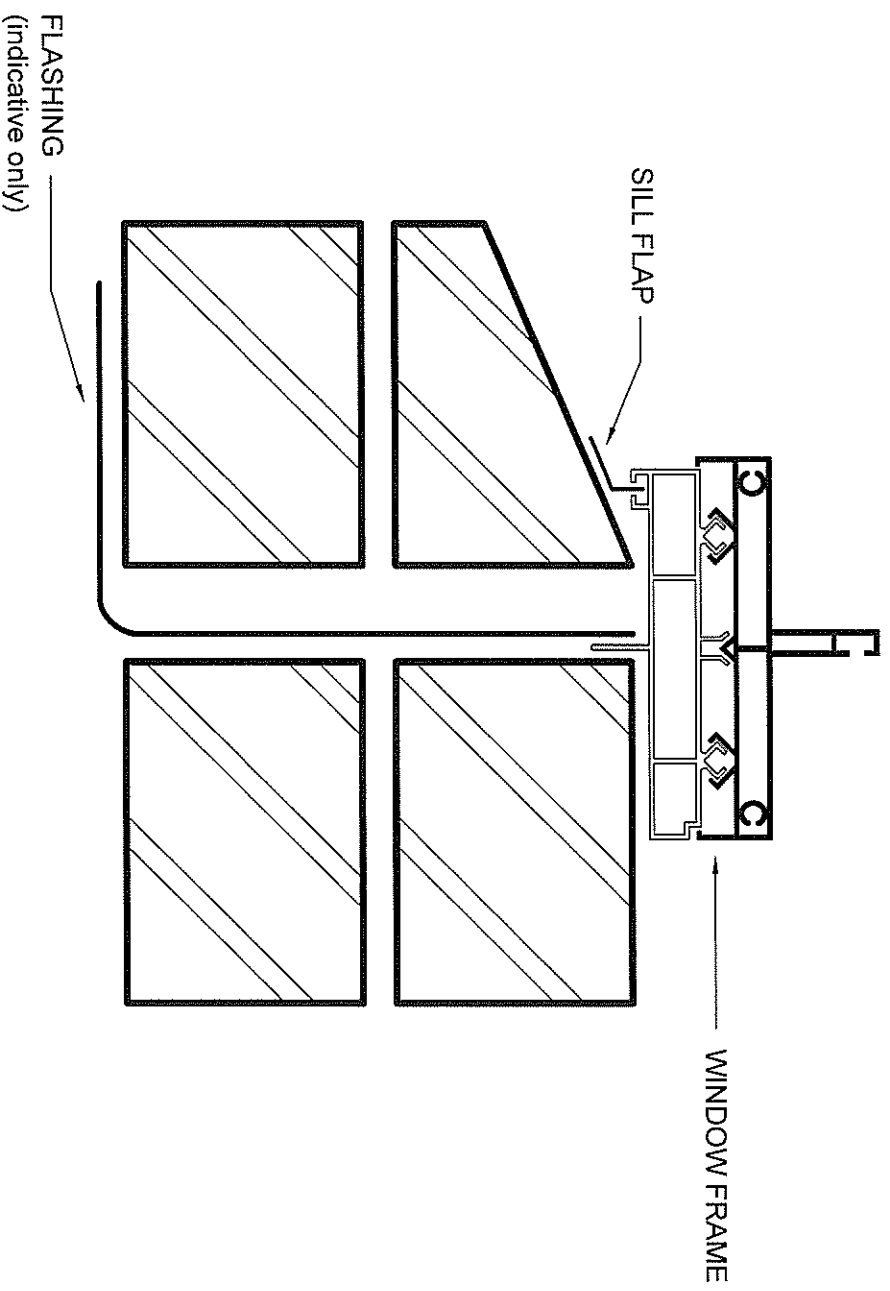
Typical Installation Detail for Windows in Double Brick



JAMB (Detail)

NOT TO SCALE

Typical Installation Detail for Windows in Double Brick



SILL (Detail)

NOT TO SCALE